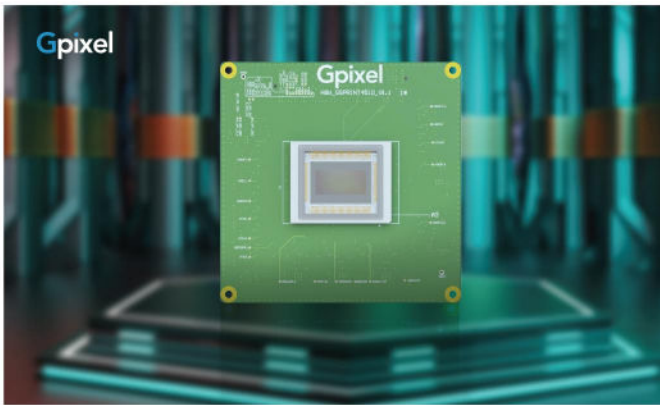


GSPRINT4510 Evaluation Kit

General Description

Gpixel's CoaXPRESS-based evaluation platform is ideal for an easy and accurate evaluation of the GSPRINT4510 high speed CMOS sensor. Its form factor, the GenICam compatibility and external triggering options provide flexible setup options in both lab and industrial environments. The high-speed CoaXPRESS interface ensures a smooth, real-time imaging experience.



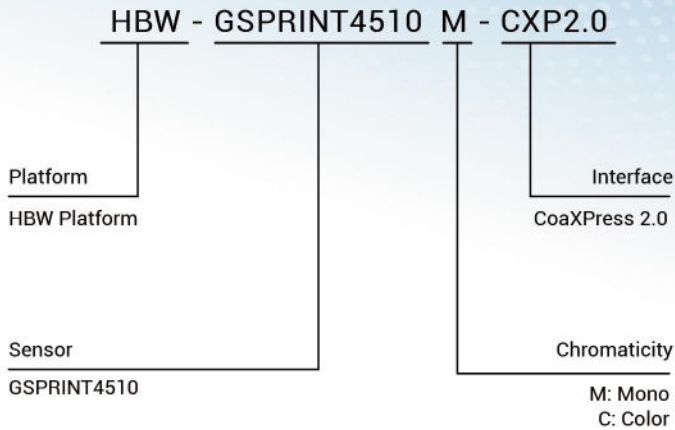
Key Features

- CoaXPRESS2.0 Interface
- Raw Image Output
- 8/10/12-bit Modes
- Normal, Binned or Windowed Readout
- Short Exposure Time (down to 1µs)
- GenICam Compatible
- User-friendly Form Factor
- M42- and F-mount

Specifications

Item	Description
Sensor	GSPRINT4510
Output Interface	4-channel, Micro-BNC connector
Resolution (H x V)	4608 x 2176
Frame Rates	Normal: 392 fps (8b) / 301 fps (12b) Binned: 1460 fps (8b) / 1127 fps (12b)
Exposure Time	1µs ~ 49.99s
Pixel Bit Depth	8/10/12-bit
Trigger Mode	External / Free Running
Lens Mount	M42-mount / F-mount
Power Supply	10 – 25 V
Power Consumption	23.5W (@ 12 V)
Operating Temperature	0-50°C

Ordering Information

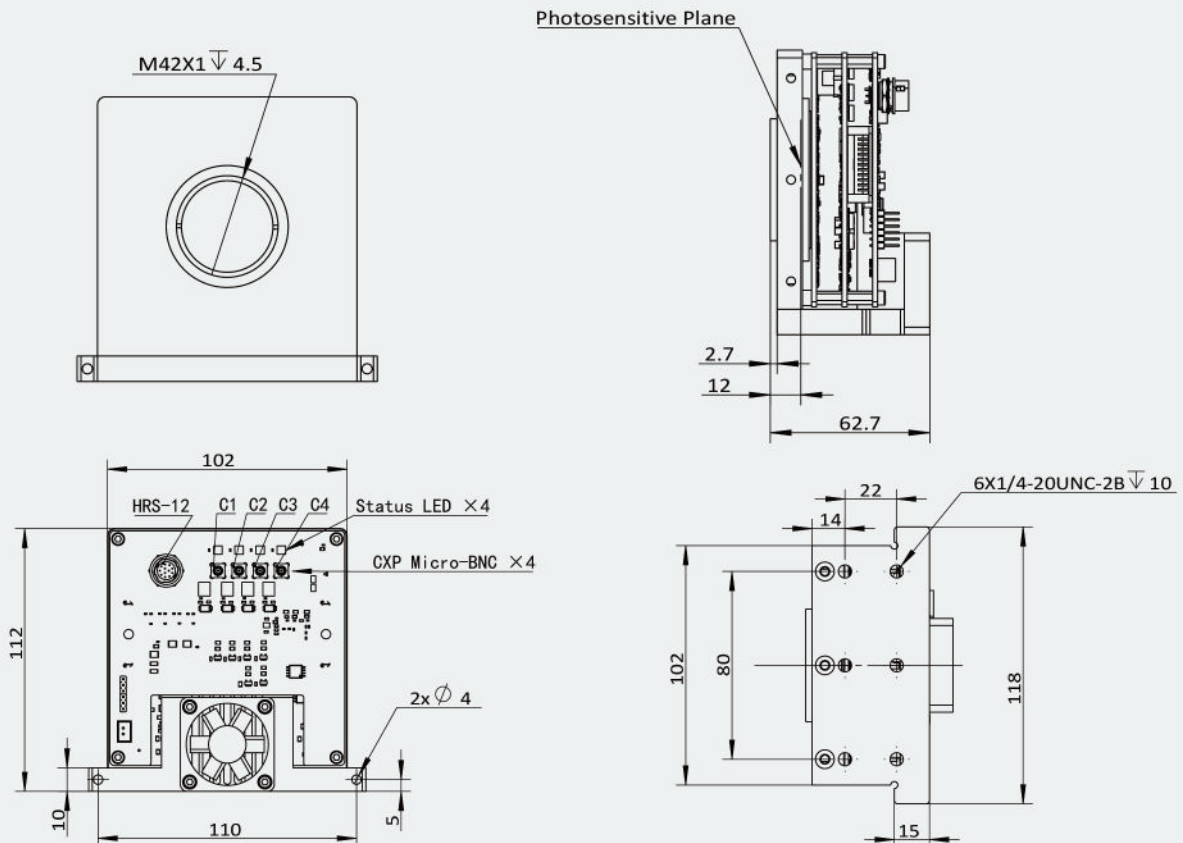


Evaluation Kit Includes

- Evaluation module
- Power Cable with DC plug and trigger
- DC Plug adapter 2.1mm to 2.5mm
- Extension ring M42 to M42
- F-mount adapter

Note: a CXP2.0 frame grabber and four CXP cables are required to use this evaluation kit.

Mechanical Drawing



Contact Gpixel HQ

Add: Building #5, Optoelectronic Information Industrial Park, #7691 Ziyou Road, Changchun, Jilin, China.

Tel: +86-0431-85077785

Email: info@gpixel.com

Website: www.gpixel.com

